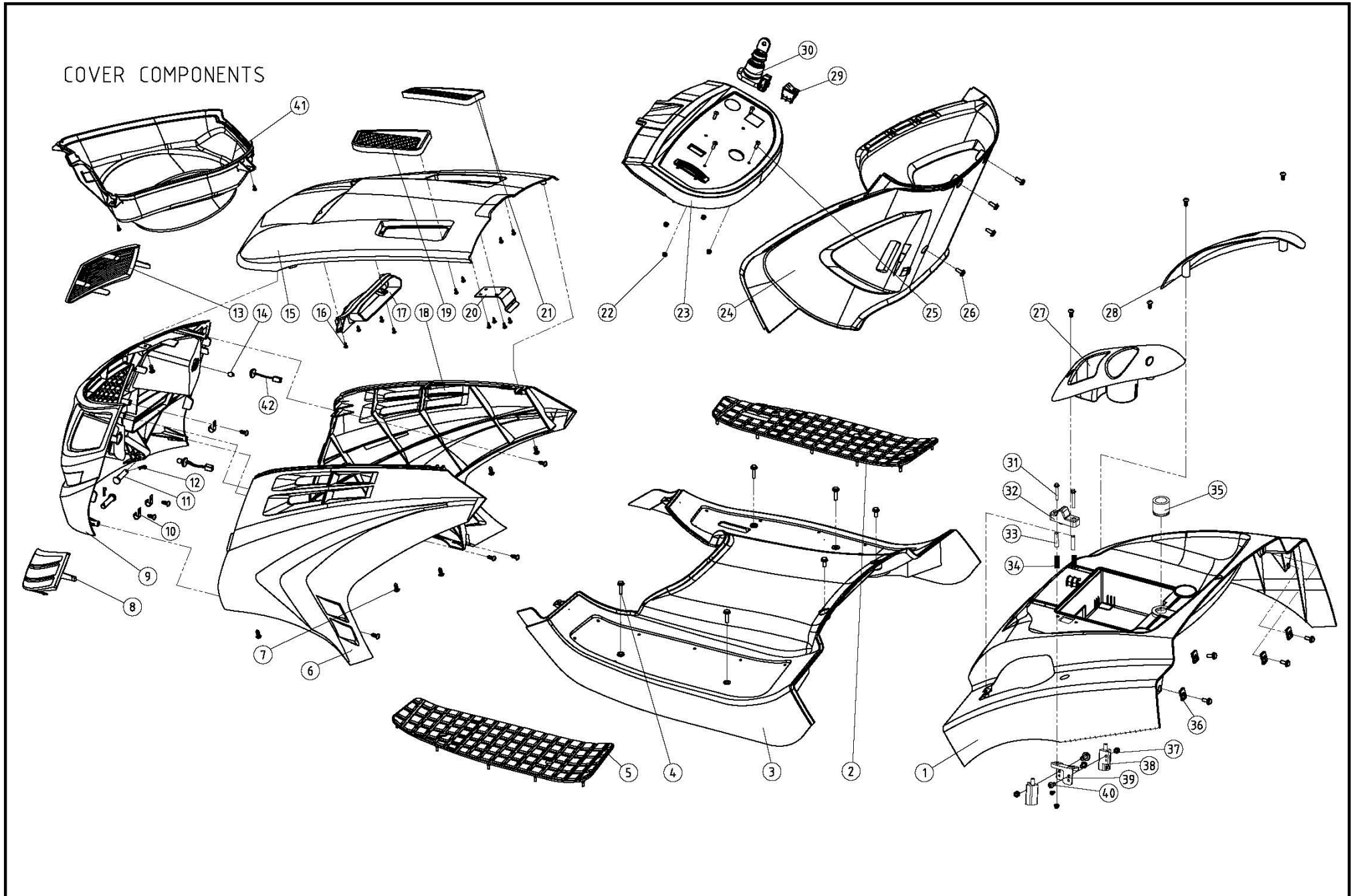


Model: XC160-102HC

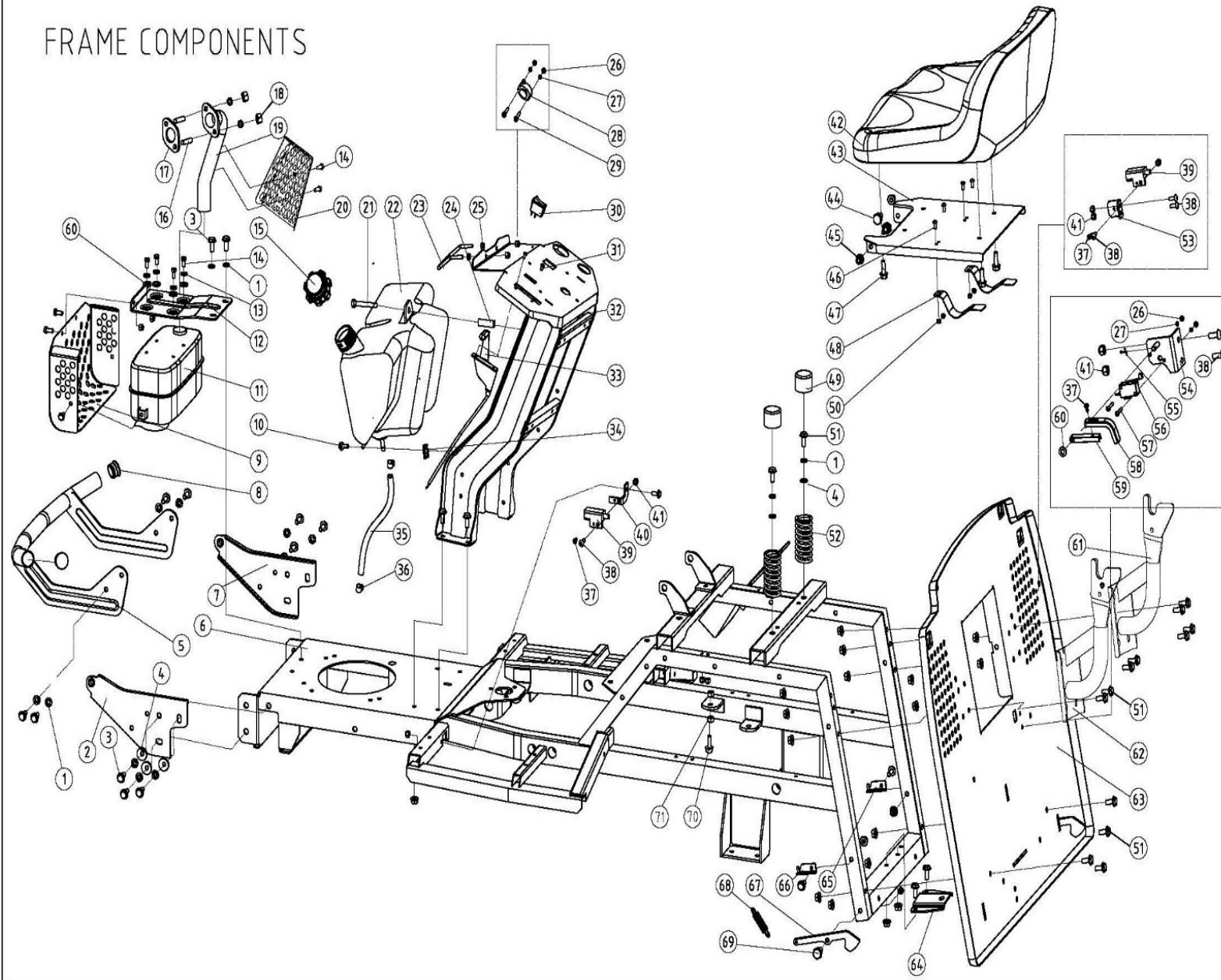
Part number: 90063132

Year 2019



POS	QTY	PARTNUMBER	BESKRIVELSE	DESCRIPTION
1	1	440738	SKÆRM BAG	REAR COVER
2	1	440739	FODPLADE HØJRE	RIGHT FOOT BOARD
3	1	440740	BUNDPLADE	BOTTOM PLATE
4	6	440741	FLANGEBOLT M6X25	HEXAGON SOCKET BUTTON HEAD SCREWS M6*25
5	1	440742	FODPLADE VENSTRE	LEFT FOOT BOARD
6	1	440374	FRONT SKÆRM VENSTRE	LEFT COVER
7	13	440743	SKRUE ST4,8X13	SCREW ST4.8X13
8	1	440744	LYGTEGLAS VENSTRE	LEFT LIGHT COVER
9	1	440377	FRONT SKÆRM	FRONT COVER
10	3	440745	KLEMME	CLAMP
11	2	440746	SPLITBOLT	PIN
12	2	439478	FJEDERSPLIT	HAIR PIN COTTER
13	1	440747	LYGTEGLAS HØJRE	RIGHT LIGHT COVER
14	2	439662	PÆRE	FRONT LIGHT
15	1	440748	TOP SKÆRM	TOP COVER
16	14	440749	SKRUE ST4,2X10	SCREW ST4.2X10
17	1	440750	VINDSKÆRM FRONT	FRONT WIND BOARD
18	1	440383	SKÆRM FRONT HØJRE	RIGHT COVER
19	1	440751	VINDSKÆRM VENSTRE	LEFT WIND BOARD
20	1	440752	FJEDERSÆDE	SPRING FASTENER
21	1	440753	VINDSKÆRM HØJRE	RIGHT WIND BOARD
22	5	440754	LÅSEMØTRIK M5	HEXAGON LOCK NUT M5
23	1	440387	INSTRUMENTPANEL	INSTRUMENT BOARD
24	1	440388	SKJOLD	SHIELD
25	3	440755	SKRUE M5X16	SCREW M5X16
26	8	440756	BOLT M6X16	HEXAGON BOLT M6X16
27	1	440389	KOPHOLDER	CUP SUPPORT
28	1	440390	DÆKSEL	HANDLE GUIDE PLATE
29	1	440391	AFBRYDER	CLUTCH SWITCH
30	1	436597	KONTAKT INKL. NØGLE	ROTARY SWITCH INCL. KEY
31	2	440757	BOLT M5X50	HEXAGON BOLT M5X50
32	1	440392	KONTAKT	SWITCH GLAND
33	2	440758	MUFFE	GUIDE SLEEVE
34	2	440759	FJEDER	SPRING
35	1	440760	GUMMIBØS	RUBBER PAD
36	4	439509	MØTRIK M6	BUCKLE NUT M6
37	2	439444	LÅSEMØTRIK M10X1.25	HEXAGON NUT M10X1.25
38	2	436599	TÆND/SLUK KONTAKT	OPEN CLOSE SWITCH
39	1	440761	SÆDEKONTAKT	SEAT SWITCH BASE
40	2	439437	BOLT M6X16	SCREW M6X16
41	1	440762	VINDSKÆRM	WIND GUIDE COVER
42	2	440763	FATNING	LAMPHOLDER

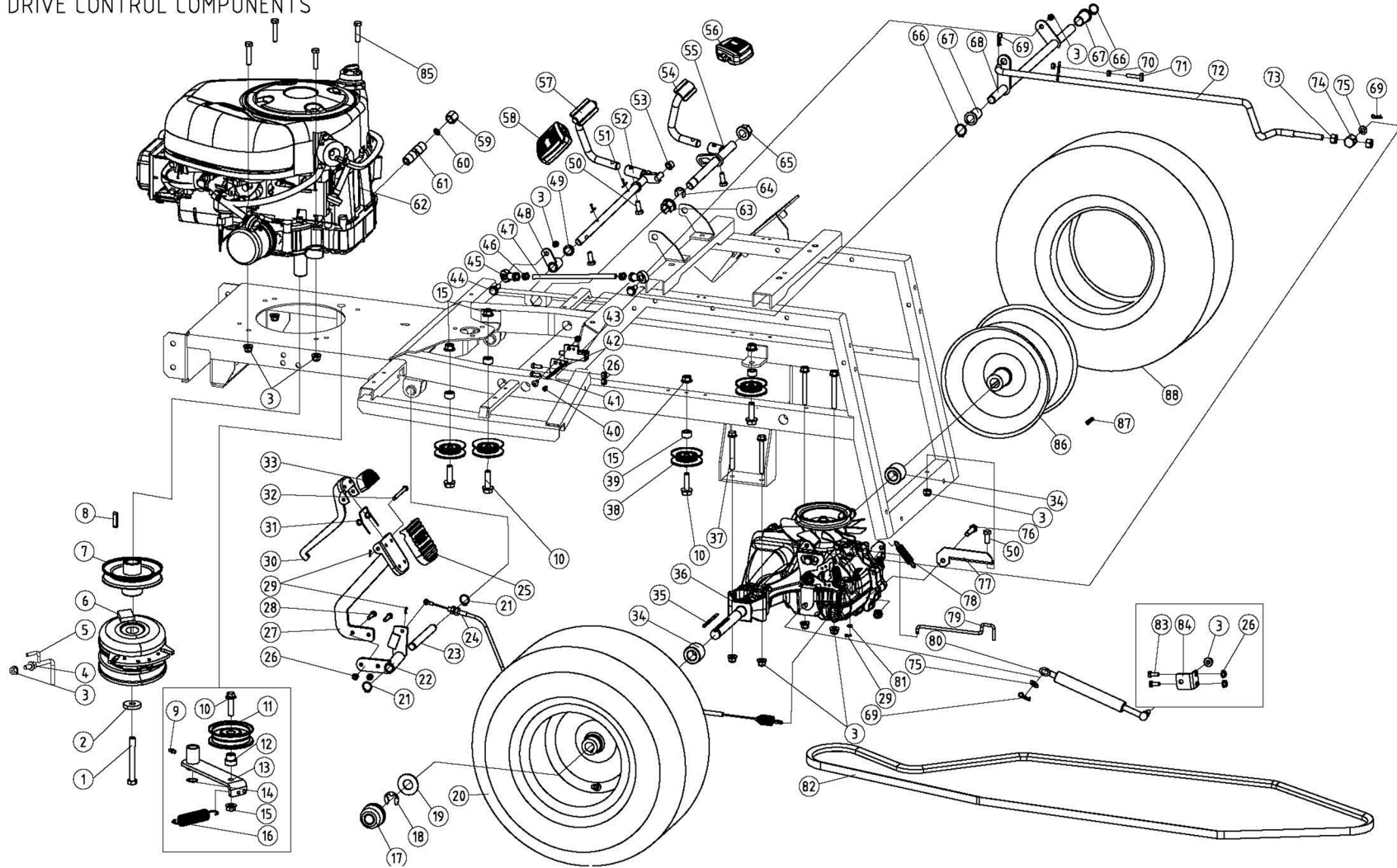
# FRAME COMPONENTS



POS	QTY	PARTNUMBER	BESKRIVELSE	DESCRIPTION
1	12	440764	FJEDERSKIVE Ø8	SPRING WASHER 8
2	1	440765	FRONTKONSOL VENSTRE	FRONT COVER BRACKET L
3	16	440766	BOLT M8X20	HEXAGON BOLT M8X20
4	8	440767	SKIVE Ø8	WASHER 8
5	1	440768	KOFANGER	BUMPER WELDMENT
6	1	440769	RAMME	FRAME WELDMENT
7	1	440770	FRONTKONSOL HØJRE	FRONT COVER BRACKET R
8	2	440771	PROP	BUMPER END LID
9	1	439467	SKJOLD	FRONT SHIELD
10	2	440772	BOLT M6X16	SCREW M6X16
11	1	439471	UDSTØDNING	MUFFLE
12	1	440773	SKJOLD FOR UDSTØDNING	MUFFLER BASE
13	6	440774	FJEDERSKIVE Ø6	SPRING WASHER 6
14	12	440775	BOLT M6X20	HEXAGON BOLT M6X20
15	1	436578	TANKLÅG KPL.	FUEL CAP ASSY
16	2	440776	BOLT 5/16-18UNC	SCREW5/16-18UNC
17	1	440777	SKIVE FOR UDSTØDNINGSRØR	VENT-PIPE WASHER
18	2	440778	MØTRIK 5/16-18UNC	NUT 5/16-18UNC
19	1	440779	UDSTØDNINGSRØR	VENT PIPE
20	1	440780	UDSTØDNINGSGITTER	VENT PIPE SHIELD
21	1	440781	BOLT M6X60	HEXAGON BOLT M6X60
22	1	440414	BRÆNDSTOFTANK	TANK
23	1	440782	BESLAG	HOOD FASTENER
24	1	439606	HJULAKSEL	PIVOT TUBE
25	2	440783	MØTRIK M6	HEXAGON NUT M6
26	4	440784	MØTRIK M3	HEXAGON NUT M3
27	4	440785	FJEDERSKIVE Ø3	SPRING WASHER 3
28	1	440417	KNAP	BUZZER
29	2	440786	BOLT M3X10	SCREW M3X10
30	1	440787	KONTAKT FOR LYS	LIGHT SWITCH
31	2	440788	BOLT M4X16	SCREW M4X16
32	1	440789	FRONTHJELM	FRONT BRACKET WELDMENT
33	1	436571	GASKABEL MED REGULATOR	THROTTLE CABLE
34	2	439509	MØTRIK M6	BUCKLE NUT M6
35	1	439459	BRÆNDSTOFSLANGE	FUEL HOSE
36	2	439458	KLEMME	CLIP 10
37	2	440749	SKRUE ST4,2X10	SCREW ST4.2X10
38	6	439437	BOLT M6X16	SCREW M6X16
39	2	436599	TÆND/SLUK KONTAKT	OPEN CLOSE SWITCH
40	1	440790	KONTAKT HOLDER	SWITCH BASE
41	20	439444	LÅSEMØTRIK M10X1.25	HEXAGON NUT M10X1.25
42	1	439575	SÆDE	SEAT
43	2	440791	MONTERINGSBESLAG	SEAT MOUNTING BRACKET
44	4	440792	BOLT	SWIVEL BOLT
45	19	440793	LÅSEMØTRIK M8	HEXAGON LOCK NUT M8
46	4	440794	BOLT 5X16	SCREW M5X16
47	4	440795	BOLT 8X16	HEXAGON BOLT M8X16
48	2	439574	BESLAG	SPRING FLAKE
49	2	439573	PROP	SPRING CAP
50	4	440754	LÅSEMØTRIK M5	HEXAGON LOCK NUT M5

POS	QTY	PARTNUMBER	BESKRIVELSE	DESCRIPTION
51	16	440796	BOLT M8X25	HEXAGON BOLT M8X25
52	2	440797	FJEDER	SEAT SPRING
53	1	440798	KONTAKT	SWITCH BASE
54	1	440799	KONTAKT BESLAG	SWITCH BASE WELDMENT
55	1	440800	NÅLESPLIT 2X16	COTTER PIN 2X16
56	2	440431	KONTAKT	SWITCH
57	2	440801	BOLT M3X20	SCREW M3X20
58	1	440802	KROG	HOOK
59	1	440803	KONTAKT ARM	SWITCH LEVER
60	5	440804	SKIVE Ø6	WASHER 6
61	1	440805	BESLAG	SWIVEL BRACKET WELDMENT(R)
62	1	440806	BESLAG	SWIVEL BRACKET WELDMENT(L)
63	1	440807	SÆDE BESLAG	REAR BAFFLE PLATE
64	1	440808	SLÆBE BESLAG	TOW ATTACHMENT
65	1	440809	FJEDER BESLAG HØJRE	BRACKRT FOR SPRING R
66	1	440810	FJEDERBESLAG VENSTRE	BRACKRT FOR SPRING L
67	2	440811	TRÆK KROG	PULL HOOK
68	2	440812	FJEDER	SPRING
69	2	440813	SKRUE	PIN SCREW
70	1	439697	PROP	BUMPER CUSHION
71	1	439438	MØTRIK M8	HEXAGON NUT M8

# DRIVE CONTROL COMPONENTS

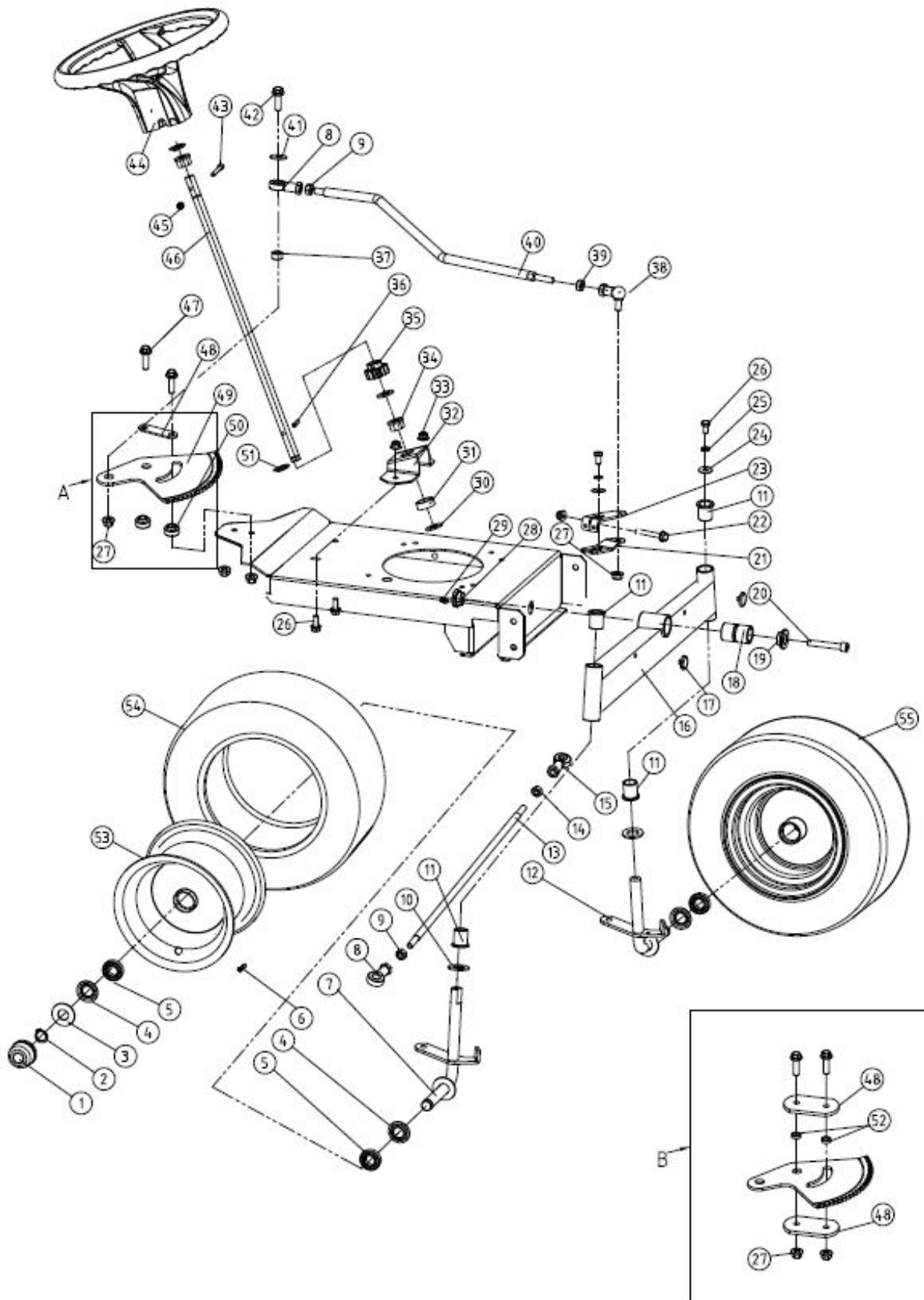


POS	QTY	PARTNUMBER	BESKRIVELSE	DESCRIPTION
1	1	440814	BOLT 7/16-20UNF	ENGINE AXIAL BOLT 7/16-20UNF
2	1	440815	FJEDERSKIVE 7/16	"SPRING WASHER 7/16""
3	12	440793	LÅSEMØTRIK M8	HEXAGON LOCK NUT M8
4	1	439468	MØTRIK M8	HEXAGON NUT M8
5	1	440816	KOBLINGS ARM	CLUTCH SUPPORT
6	1	440447	ELEKTRISK KOBLING	ELECTRIC CLUTCH
7	1	440448	MOTORREMSKIVE	ENGINE PULLEY WELDMENT
8	1	439442	NOT	FLAT KEY 6.35×30
9	1	440450	SMØRENIPPEL	GREASE FITTING M6
10	5	440817	BOLT M10X40	HEXAGON BOLT M10X40
11	1	436575	REMSKIVE	TENSION PULLEY
12	1	439487	BØS	TENTION PULLEY BUSHING
13	1	440818	STRAMMERULLEARM	IDLER PULLEY ARM WELDMENT
14	1	440819	GUMMIRING Ø16	AXIAL ELASTIC RING 16
15	5	440820	MØTRIK M10X1,25	HEXAGON NUT M10X1.25
16	1	440821	TRÆKFJEDER	TRACTION SPRING
17	2	439521	NAVKAPSEL	HUB COVER
18	2	440822	SEEGERRING 15	SNAPRING 15
19	2	439522	SKIVE 20X43X3	WASHER ?20×?43×3
20	2	436603	BAGHJUL	REAR WHEEL ASSEMBLY
21	2	440823	GUMMIRING Ø16	AXIAL ELASTIC RING 14
22	1	440824	BREMSEARM	BRAKE ARM WELDMENT
23	1	440825	AKSEL	BRAKE AXLE
24	1	440826	BREMSEKABEL	BRAKE CABLE ASSEMBLY
25	1	440460	BREMSEPEDAL	BRAKE PEDAL
26	7	439444	LÅSEMØTRIK M10X1.25	HEXAGON NUT M10X1.25
27	1	440827	BREMSEPEDALARM	BRAKE PEDAL WELDMENT
28	2	440828	BOLT M6X25	HEXAGON BOLT M6X25
29	2	440800	NÅLESPLIT 2X16	COTTER PIN 2X16
30	1	440829	BREMSEARM	PARKING ARM WELDMENT
31	1	440464	FJEDER	TORSIONG SPRING
32	1	440830	STIFT	PIVOT
33	1	440831	PEDAL	PARKING PEDAL
34	2	439685	AFSTANDBØS	SPACER RING
35	2	439535	NOT 4.75X7.75X60	FLAT KEY 4.75× 4.75×60
36	1	440832	HYDROSTATISK GEAR	HYDRO GEAR
37	4	439528	BOLT M8X70	HEXAGON BOLT M8X70
38	4	440468	REMHJUL	IDLER PULLEY
39	4	440833	AFSTANDBØS	SPACER RING
40	1	440749	SKRUE ST4,2X10	SCREW ST4.2X10
41	3	439437	BOLT M6X16	SCREW M6X16
42	1	440834	PLADE	R-SW BASE
43	1	436599	TÆND/SLUK KONTAKT	OPEN CLOSE SWITCH
44	2	440796	BOLT M8X25	HEXAGON BOLT M8X25
45	2	440835	KUGLELEJE	JION BEARINGS1JK8C
46	2	439438	MØTRIK M8	HEXAGON NUT M8
47	1	440836	TRÆKSTANG	PULL ROD
48	1	440837	TRÆK ARM	DRIVE ARM WELDMENT
49	2	440838	SKIVE	RING

POS	QTY	PARTNUMBER	BESKRIVELSE	DESCRIPTION
50	4	440766	BOLT M8X20	HEXAGON BOLT M8X20
51	2	440839	SPLIT 3,2X25	COTTER PIN 3.2X25
52	1	440840	KONTROLBESLAG	CONTROL SHAFT WELDMENT
53	1	440841	BØS	BUSHING
54	1	440842	ARM	ARM WELDMENT R
55	1	440843	STYRAKSEL	REVERSE CONTROL SHAFT WELDMENT
56	1	440479	PEDAL BAK	PEDAL R
57	1	440844	PEDAL ARM FREM	ARM WELDMENT F
58	1	440481	PEDAL FREM	PEDAL F
59	1	440845	OLIERØR PROP	OIL DRAIN PLUG
60	1	440846	O-RING 11,2X2,65	O SEALING RING11.2X2.65
61	1	440847	OLIERØR	OIL DRAIN TUBE
62	1	440848	MOTOR	ENGINE 16HP
63	1	439556	BØS	HATCH BUSHING
64	1	440849	LÅSERING Ø12	SNAP RING 12
65	1	439553	BØSNING	HEXAGON BUSHING
66	2	440850	GUMMIRING Ø15	AXIAL ELASTIC RING 15
67	2	440851	GUMMIBØS	RUBBER BUSHING
68	1	440852	DRIVAKSEL	CROSS SHAFT WELDMENT
69	2	439478	FJEDERSPLIT	HAIR PIN COTTER
70	2	440783	MØTRIK M6	HEXAGON NUT M6
71	1	440853	POSITIONS SKRUE	POSITION CONTROL SCREW
72	1	440854	DRIVARM	DRIVE PULL LEVER WELDMENT
73	2	440855	MØTRIK M10	HEXAGON NUT M10
74	1	440856	FORBINDELSSESLED M10	SWIVEL JIONT M10
75	2	440767	SKIVE Ø8	WASHER 8
76	1	440857	BOLT M8X50	HEXAGON BOLT M8X50
77	1	440858	GEAROPHÆNG	TRANSMISSION SUPPORT
78	1	440859	TRÆKFJEDER	TRACTION SPRING
79	1	440860	TRÆKSTANG	PULL LEVER
80	1	439691	KUGLELED	DAMPER
81	1	440861	SKIVE Ø5	WASHER 5
82	1	440495	TRÆKREM	BELT AP2700
83	2	440775	BOLT M6X20	HEXGON BOLT M6X20
84	1	440862	GUMMIOPHÆNG	DAMPER SUPPORT
85	3	440863	BOLT 3/8-16-1 1/4	HEXAGON BOLT3/8-16-1 1/4
86	2	440864	FÆLG	RIM ONLY
87	2	440865	VENTIL	VALUE TUBELESS
88	2	440866	DÆK 18X8,5-8	TYRE ONLY 18X8.5-8



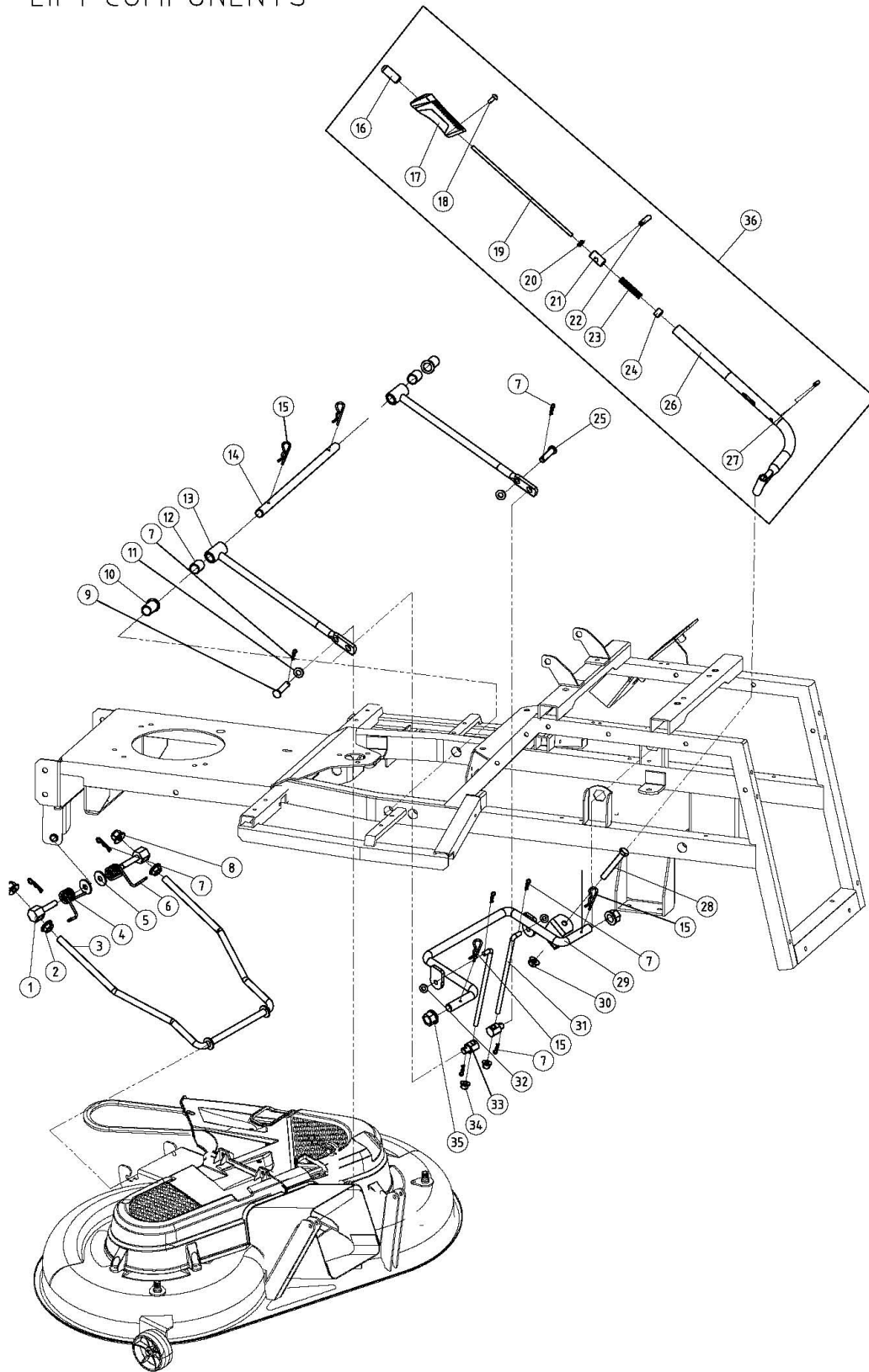
# STEERING GEAR



POS	QTY	PARTNUMBER	BESKRIVELSE	DESCRIPTION
1	2	439521	NAVKAPSEL	HUB COVER
2	2	440867	GUMMIRING Ø20	AXIAL ELASTIC RING 20
3	4	439522	SKIVE 20X43X3	WASHER 20x43x3
4	2	439523	SKIVE	WASHER
5	4	440868	HJULLEJE 61904	BEARING 61904
6	2	440865	VENTIL	VALUE TUBELESS
7	1	440869	HJULGAFFEL HØJRE	R-STUBE AXLE WELDMENT
8	2	440870	FORBINDELSLEJE HØJRE	JOIN BEARING
9	3	440855	MØTRIK M10	HEXAGON NUT M10
10	2	440871	SKIVE Ø20	WASHER 20
11	4	439525	BØS	BUSHING
12	1	440872	HJULGAFFEL VENSTRE	L-STUBE AXLE WELDMENT
13	1	440873	TRÆKSTANG	PULL ROD
14	1	440874	MØTRIK Ø10-LH	HEXAGON NUT 10-LH
15	1	440875	FORBINDELSLEJE VENSTRE	JOIN BEARING
16	1	440876	FRONTPLADE	FRONT BEAM WELDMENT
17	4	440877	GUMMIBØS	RUBBER CUSHION
18	1	440878	AKSEL	PIVOT AXIS
19	1	440879	BØS	BUSH
20	1	440880	BOLT M10X50	SCREW M10X50
21	2	439530	BESLAG	TURNNG ARM 1
22	2	439529	BESLAG	TURNNG ARM 2
23	1	440857	BOLT M8X50	HEXAGON BOLT M8X50
24	1	440881	SKIVE	WASHER
25	1	440764	FJEDERSKIVE Ø8	SPRING WASHER 8
26	3	440766	BOLT M8X20	HEXAGON BOLT M8X20
27	4	440820	MØTRIK M10X1,25	HEXAGON NUT M10X1.25
28	1	440882	BØS	HEXAGON BUSH
29	3	440450	SMØRENIPPEL	GREASE FITTING M6
30	2	440883	SKIVE Ø16	WASHER 16
31	1	439552	BØS	BUSHING
32	1	440884	BESLAG	GEAR BRACKET
33	2	440793	LÅSEMØTRIK M8	HEXAGON LOCK NUT M8
34	1	439525	BØS	BUSHING
35	1	440514	TANDHJUL	GEAR
36	1	440885	SPLIT 6X26	SPRING PIN 6X26
37	5	440833	AFSTANDBØS	SPACER RING
38	1	440886	FORBINDELSLED SQ10-RS	JOINT BEARING SQ10-RS
39	5	440855	MØTRIK M10	HEXAGON NUT M10
40	1	440887	FORBINDELSSTANG	PULL ROD
41	2	440888	SKIVE Ø10	WASHER 16*28*1.5
42	1	440889	BOLT M10X45	HEXAGON BOLT M10X45
43	1	440890	BOLT M6X45	SCREW M6X45
44	1	440516	RAT	STEERING WHEEL
45	1	439444	LÅSEMØTRIK M10X1,25	HEXAGON NUT M10X1.25
46	1	440517	RATSTAMME	STEERING COLUMN
47	2	440817	BOLT M10X40	HEXAGON BOLT M10X40
48	2	440891	BESLAG	GEAR BRACKET
49	1	440892	STYREPLADE	GEAR PLATE
50	2	440893	BØS	BUSHING

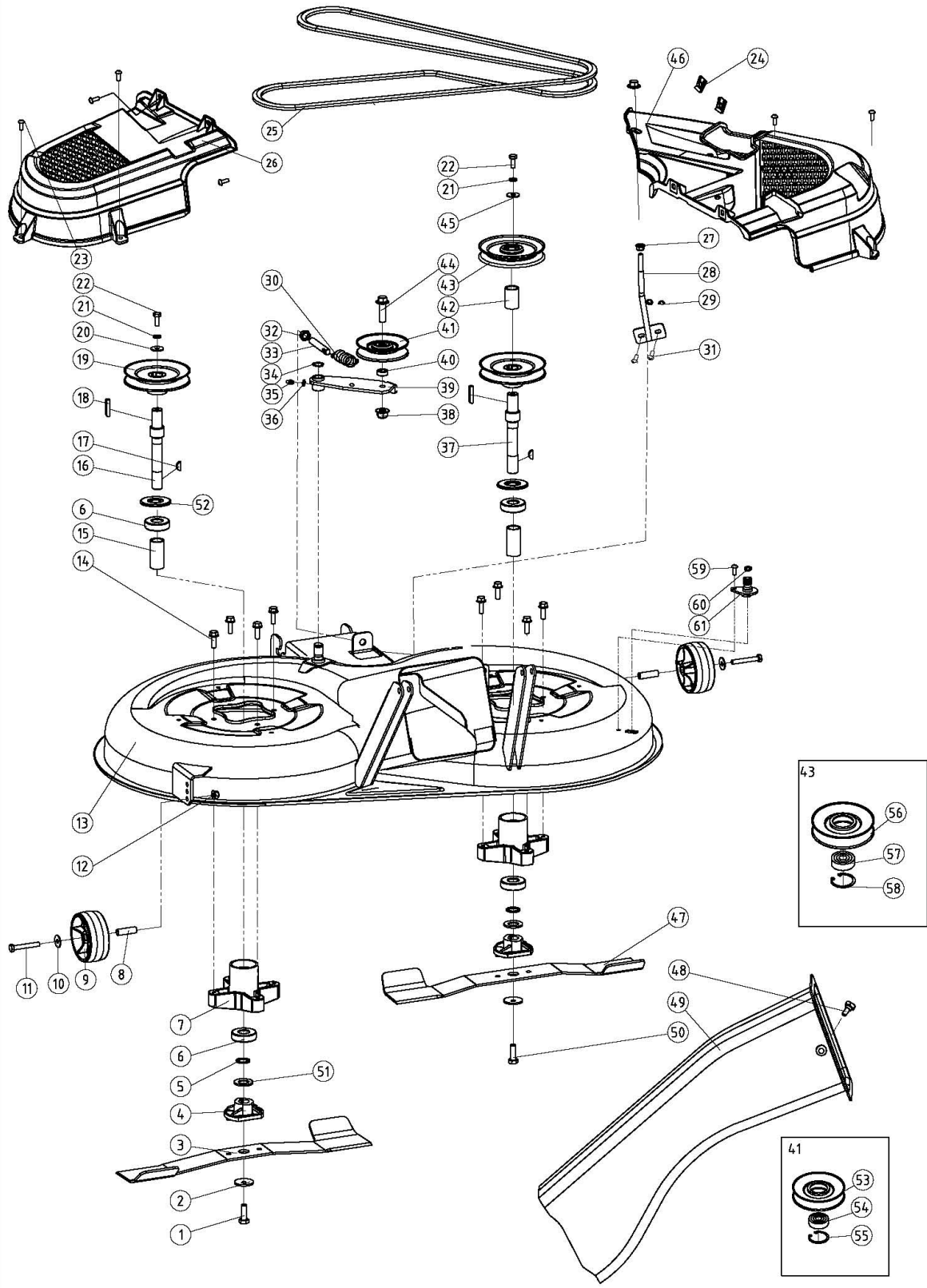
POS	QTY	PARTNUMBER	BESKRIVELSE	DESCRIPTION
51	2	440850	GUMMIRING Ø15	AXIAL ELASTIC RING 15
52	2	440894	BØS	BUSHING
53	2	440895	FÆLG	RIM ONLY
54	2	440896	DÆK	TYRE ONLY 15X6-6
55	2	436582	FORHJUL KOMPLET	FRONT WHEEL ASSEMBLY

# LIFT COMPONENTS



POS	QTY	PARTNUMBER	BESKRIVELSE	DESCRIPTION
1	2	440897	PLADESKRUE 6 KANTET	PIVOT PIN(HEXAGON)
2	2	440898	MØTRIK 12X1,25	HEXAGON FLANGE NUTM12X1.25
3	1	440899	FRONTOPHÆNG	FRONT SUSPENSION
4	1	440900	FJEDER VENSTRE	TORSIONAL SPRING L
5	2	440901	SKIVE Ø10	WASHER 10(BIG)
6	1	440902	FJEDER HØJRE	TORSIONAL SPRING R
7	8	439478	FJEDERSPLIT	HAIR PIN COTTER
8	2	440903	LÅSEMØTRIK M12X1,25	FLANGE LOCK NUT M12X1.25
9	2	440904	PLADESKRUE	PIVOT PIN
10	2	440851	GUMMIBØS	RUBBER BUSHING
11	2	440901	SKIVE Ø10	WASHER 10(BIG)
12	2	440905	AFSTANDSSKIVE	SPACER RING
13	2	440906	STANG	FRONT HANGING ARM WELDMENT
14	1	440907	STANG	LIFT SWIVEL SHAFT
15	4	440908	SPLIT	HAIR PIN COTTER 3
16	1	439597	KNOP	BUTTON
17	1	439596	GREB	LIFT HANDLE
18	1	440909	SKRUE M5*8	SCREW M5*8
19	1	440910	STANG	PUSH ROD
20	1	440783	MØTRIK M6	HEXAGON NUT M6
21	1	440911	HOLDER	PIN RETAINER
22	1	440912	NOT 8X40	SPRING PIN 8X40
23	1	440913	TRYKFJEDER	PRESSURE SPRING
24	1	440914	HOLDER FOR FJEDER	SPRING RETAINER
25	1	440904	PLADESKRUE	PIVOT PIN
26	1	440915	STANG FOR HÅNDTAG	LIFT HANDLE WELDMENT
27	1	440885	SPLIT 6X26	SPRING PIN 6X26
28	1	440916	BOLT M10X70	HEXAGON BOLT M10X70
29	1	440917	LØFTESTANG	LIFT CROSS SHAFT WELDMENT
30	1	440918	MØTRIK M10	HEXAGON NUT M10
31	2	440919	TRÆKSTANG	PULLING ROD
32	2	440767	SKIVE Ø8	WASHER 8
33	2	440920	DREJELED	SWIVEL JIONT M8
34	2	440793	LÅSEMØTRIK M8	HEXAGON LOCK NUT M8
35	2	439553	BØSNING	HEXAGON BUSHING
36	1	440921	LØFTEHÅNDTAG KOMPLET	LIFT HANDLE COMPONENT

# DECK COMPONENTS

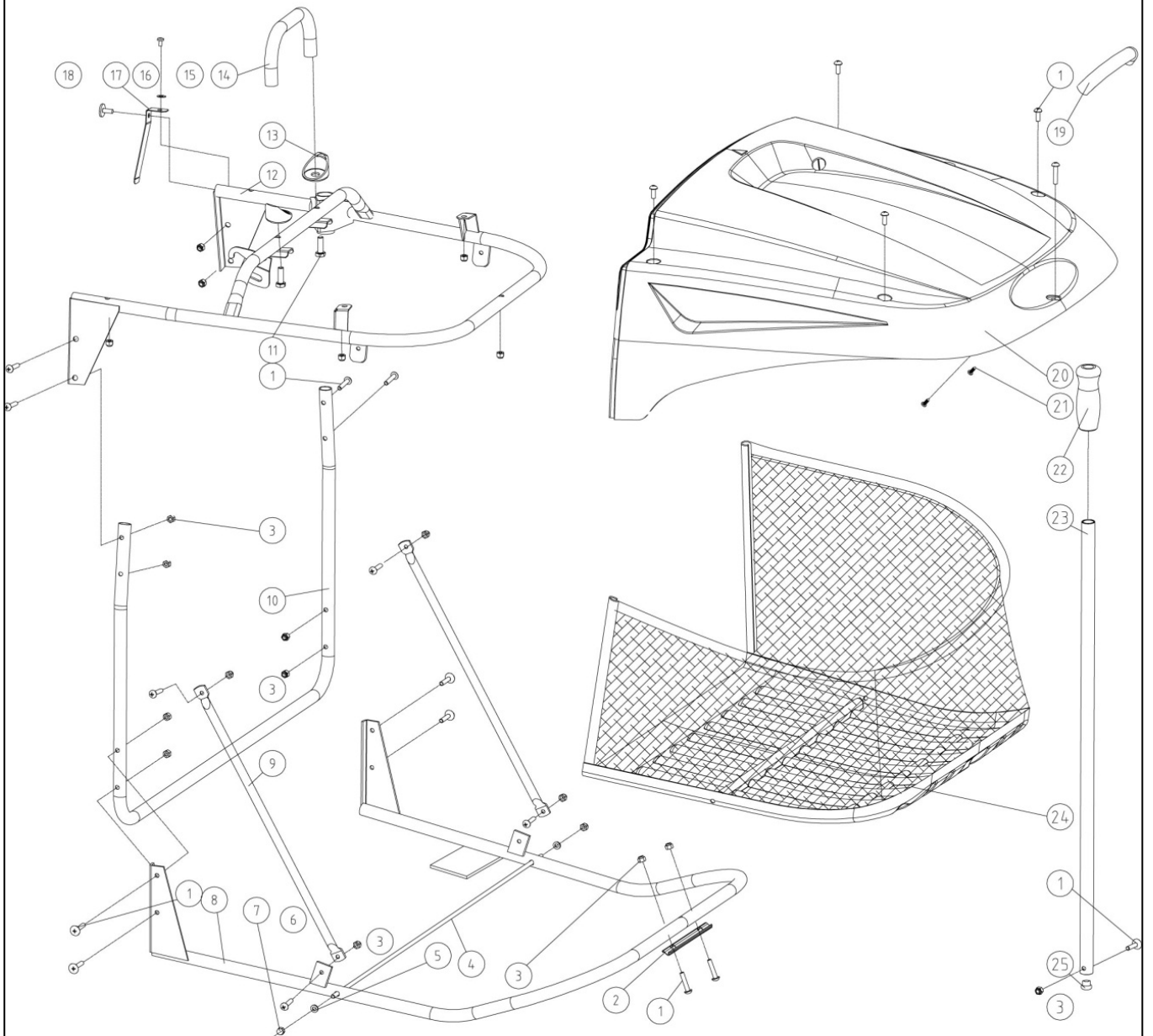


POS	QTY	PARTNUMBER	BESKRIVELSE	DESCRIPTION
1	1	440922	KNIVBOLT 3/8-24UNF	BOLT 3/8-24UNF
2	2	436591	SKIVE	DISH WASHER
3	1	440547	KNIV VENSTRE	LEFT BLADE
4	2	436588	KNIVHOLDER	SLEEVE
5	2	440548	AFSTANDSSKIVE	SPACER RING
6	4	440923	LEJE 6204-2RZ	BEARING 6204-2RZ
7	2	440549	KNIVAKSEL	CUTTTER HOUSE
8	2	439606	HJULAKSEL	PIVOT TUBE
9	2	439607	HJUL	WHEEL
10	2	440767	SKIVE Ø8	WASHER 8
11	2	440924	BOLT M8X60	HEXAGON BOLT M8X60
12	3	440793	LÅSEMØTRIK M8	HEXAGON LOCK NUT M8
13	1	440925	KLIPPEBORD	DECK WELDMENT
14	8	440796	BOLT M8X25	HEXAGON BOLT M8X25
15	2	440926	AFSTANDSRØR	PIVOT TUBE
16	1	440927	KNIVAKSEL VENSTRE	LEFT BLADE AXLE
17	2	440928	NOT 4X16	WOODRUFF KEY 4X16
18	2	440929	NOT C6X18	KEY C6X30
19	2	440554	REMSKIVE	PULLEY WELDMENT
20	1	440881	SKIVE	WASHER
21	2	440764	FJEDERSKIVE Ø8	SPRING WASHER 8
22	2	440766	BOLT M8X20	HEXAGON BOLT M8X20
23	7	440772	BOLT M6X16	SCREW M6X16
24	2	439509	MØTRIK M6	BUCKLE NUT M6
25	1	440556	KLIPPEREM	BELT AA113
26	1	440930	REMSKIVE SKÆRM VENSTRE	LEFT PULLEY COVER
27	1	439468	MØTRIK M8	HEXAGON NUT M8
28	1	440931	SKÆRM BESLAG	COVER BRACKET
29	2	439444	LÅSEMØTRIK M10X1.25	HEXAGON NUT M10X1.25
30	1	440932	TRÆKFJEDER	TRACTION SPRING
31	2	440775	BOLT M6X20	HEXAGON BOLT M6X20
32	2	440933	MØTRIK M12	HEXAGON NUT M12
33	1	440934	JUSTERINGSSKRUE	ADJUSTING SCREW
34	1	440819	GUMMIRING Ø16	AXIAL ELASTIC RING 16
35	1	440450	SMØRENIPPEL	GREASE FITTING M6
36	1	440804	SKIVE Ø6	WASHER 6
37	1	440935	KNIVAKSEL HØJRE	RIGHT BLADE AXLE
38	1	440903	LÅSEMØTRIK M12X1,25	FLANGE LOCK NUT M12X1.25
39	1	440936	REMSTRAMMERARM	IDLER PULLEY ARM WELDMENT
40	1	440937	AFSTANDS SKIVE	SPACER
41	1	440566	REMHJUL	IDLER PULLEY
42	1	440938	AFSTANDSRØR	PIVOT TUBE
43	1	440568	REMHJUL	IDLER PULLEY
44	1	440939	BOLT M12X45	HEXAGON BOLT M12X45
45	1	440940	SKIVE Ø8	WASHER 8
46	1	440941	REMSKIVE SKÆRM HØJRE	RIGHT PULLEY COVER
47	1	440571	KNIV HØJRE	RIGHT BLADE
48	2	440792	BOLT	SWIVEL BOLT
49	1	440942	OPSAMLER	COLLECTOR CHANNEL

POS	QTY	PARTNUMBER	BESKRIVELSE	DESCRIPTION
50	1	440943	KNIVBOLT 3/8-24-1,25 LINKS	"LH BOLT 3/8-24-1.25"-1.25-LH"
51	2	440573	SKIVE 50X20,2X2	WASHER 50X20.2X2
52	2	440944	LEJE	HOOD, BEARING
53	1	436574	REMSKIVE	TENSION PULLEY
54	1	440945	LEJE 6301-2RS	BEARING 6301-2RS
55	1	440946	SEEGERRING Ø37	SNAP RING 37
56	1	440947	REMSKIVE	IDLER PULLEY
57	1	440948	LEJE 6203-2RS	BEARING 6203-2RS
58	1	440949	SEEGERRING Ø40	SNAP RING 40
59	2	440950	BOLT M6X16	HEXGON BOLT M6X16
60	2	440846	O-RING 11,2X2,65	O SEALING RING11.2X2.65
61	2	439613	VASKESTUDS	WATER NOZZLE

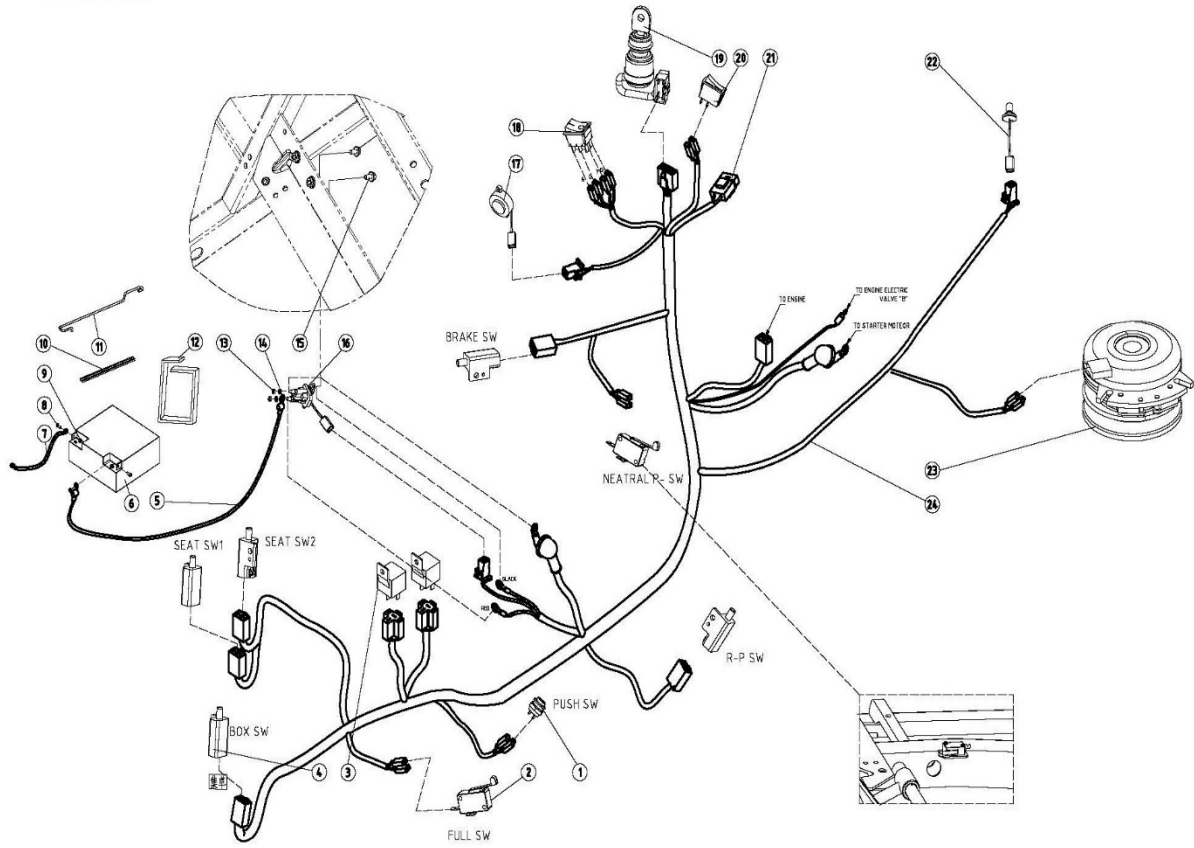


# GRASS CATCHER COMPONENTS



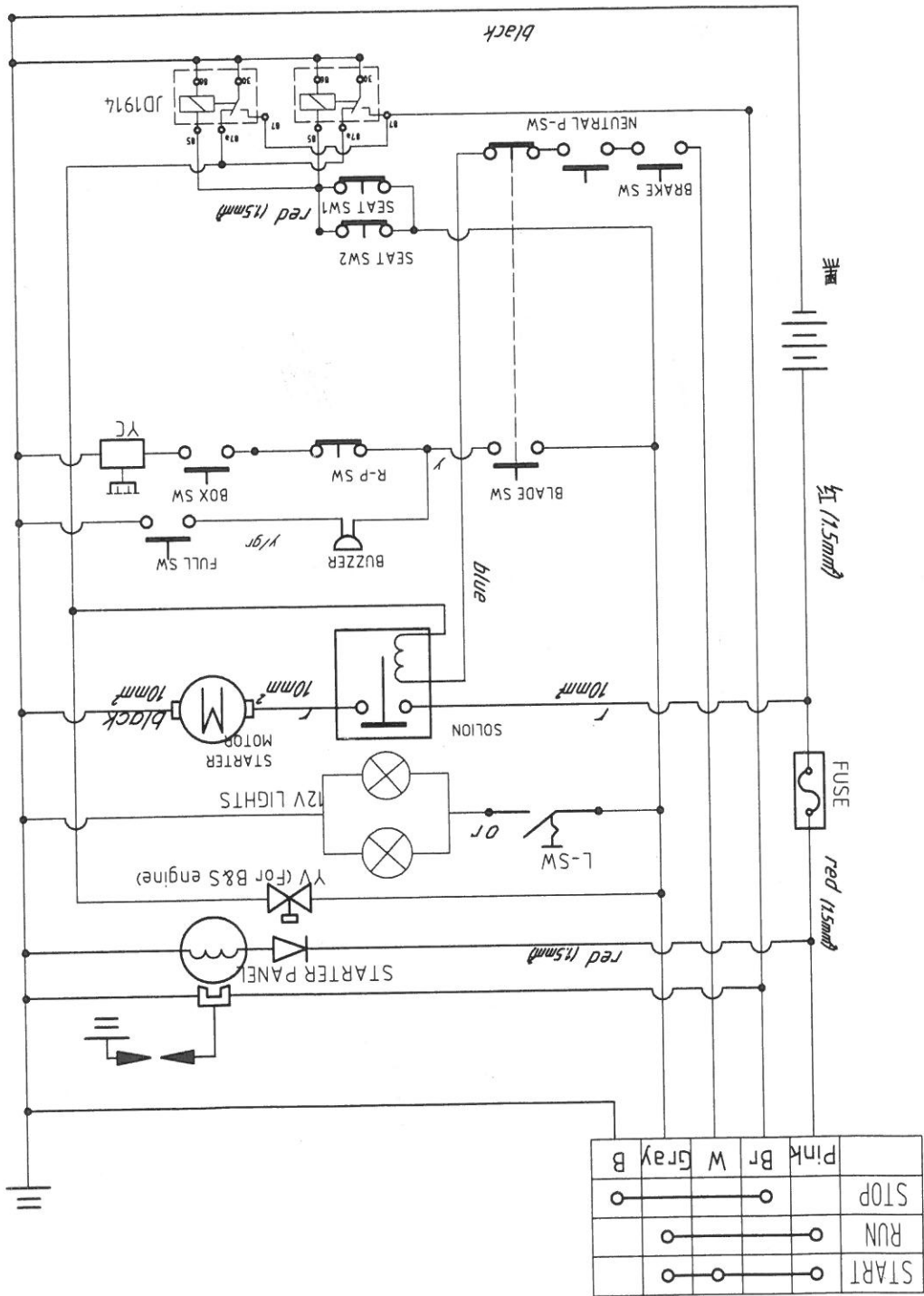
POS	QTY	PARTNUMBER	BESKRIVELSE	DESCRIPTION
1	14	440951	BOLT M6X35	SCREW M6X35
2	1	440952	PLADE	LAYER BOARD
3	18	439444	LÅSEMØTRIK M10X1.25	HEXAGON NUT M10X1.25
4	1	440953	STANG	SCREW ROD
5	2	440804	SKIVE Ø6	WASHER 6
6	4	440954	BOLT M6X20	HEXGON BOLT M6X20
7	2	440955	MØTRIK M6	CANOPY NUT M6
8	1	440956	NEDERSTE RAMME	BOTTOM FRAME WELDMENT
9	2	440957	STØTTESTANG	SIDE STAY PIPE
10	1	440958	FORRESTE RAMME	FRONT FRAME
11	2	440959	BOLT M8X30	HEXAGON BOLT M8X30
12	1	440960	ØVERSTE RAMME	TOP FRAME WELDMENT
13	2	440961	HÆTTE	SEAL CAP
14	1	440962	FORRESTE HÅNDTAG	FRONT HANDLE
15	1	440861	SKIVE Ø5	WASHER 5
16	1	440755	SKRUE M5X16	SCREW M5X16
17	1	440963	FJEDERBESLAG	SPRING FINGERS
18	1	440772	BOLT M6X16	SCREW M6X16
19	1	440964	FORRESTE HÅNDTAG	REAR HANDLE
20	1	440586	TOPDÆKSEL	COVER
21	2	440965	SKRUE ST4,8X13	SCREW ST4.8X13
22	1	440587	GREB	HANDLE
23	1	440588	STANG	LEVER
24	1	440589	GRÆSOPSAMLER	GRASS CATCHER
25	1	440966	GUMMIPROP	BUMPER

POWER LINE



POS	QTY	PARTNUMBER	BESKRIVELSE	DESCRIPTION
1	1	440591	AFBRYDER	PUSH SWITH
2	2	440431	KONTAKT	SWITCH
3	2	440967	RELÆ	RELAY
4	5	436599	TÆND/SLUK KONTAKT	OPEN CLOSE SWITCH
5	1	440593	KABEL	STARTER WIRE
6	1	440968	BATTERI	BATTERY
7	1	440594	KABEL	ENGINE GROUNDING WIRE
8	2	440755	SKRUE M5X16	SCREW M5X16
9	2	440754	LÅSEMØTRIK M5	HEXAGON LOCK NUT M5
10	1	439673	GUMMILISTE	ROBBER PLATE
11	1	440595	STANG	STATIONARY FRAME
12	1	440969	PAKNING	ROPE
13	2	440783	MØTRIK M6	HEXAGON NUT M6
14	2	440774	FJEDERSKIVE Ø6	SPRING WASHER 6
15	2	440756	BOLT M6X16	HEXAGON BOLT M6X16
16	1	440592	STARTRELÆ	RELAY
17	1	440417	KNAP	BUZZER
18	1	440391	AFBRYDER	CLUTCH SWITCH
19	1	436597	KONTAKT INKL. NØGLE	ROTARY SWITCH INCL. KEY
20	1	440787	KONTAKT FOR LYS	LIGHT SWITCH
21	1	436594	SIKRING	FUSE
22	2	440970	PÆRE	LIGHT
23	1	440447	ELEKTRISK KOBLING	ELECTRIC CLUTCH
24	1	440971	LEDNING	POWER LINE

工艺	审核	校对	设计	标记	数量	分区	更改文件号	姓名	日期	标准化	图样标记	重量	比例	共 张 第 张				XCT102
														S	1:1			
浙江永康中坚工具制造有限公司																		
电路图 (倒档不割草选项)																		



XCT102